

CERTIFICATION



HACCP International



ISO9001

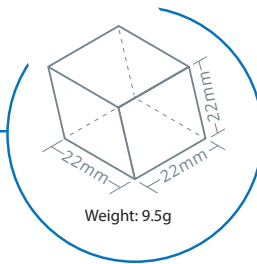
ICE MATE

by  **HOSHIZAKI**

SRM-650AB-B-801SA

ICE MAKER

DICE



ICEMATE is committed to bringing high-efficiency / energy-saving, and high quality ice-making product to people who have dreams and desire to create their own business with the best scientific technology and manufacturing technology.

KEY FEATURES

SAFETY AND HYGIENE ASSURED ICE MACHINE

AUTO-CLEANING



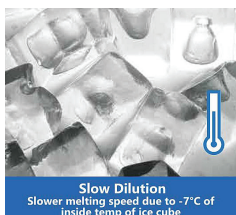
Timely maintenance of water system can extend life of equipment.

PURE ICE



Overflow self-cleaning function, ensuring ice hygiene

IoT



Slow melt Dilution

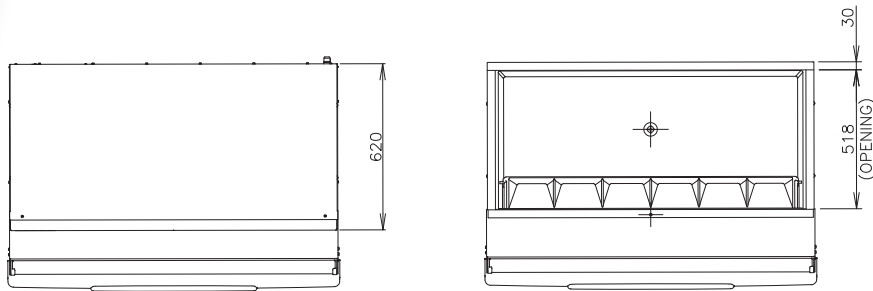


Powerful Ice Making



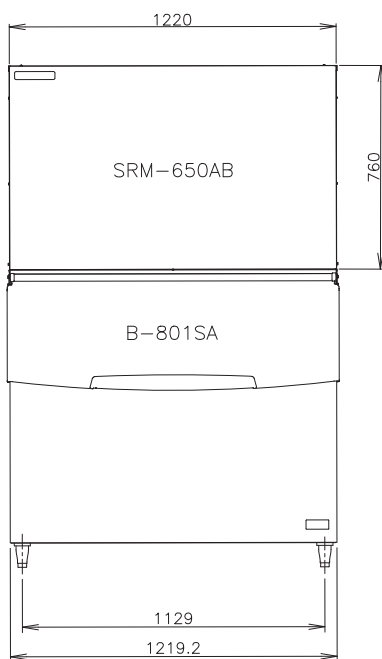
Energy & Water Saving, Quiet Operation

BIN TOP VIEW

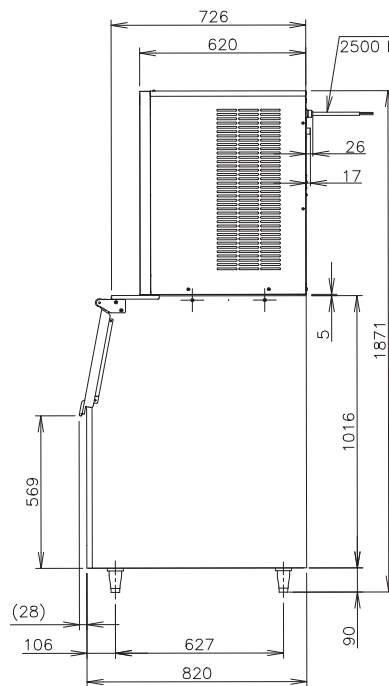


BIN TOP VIEW

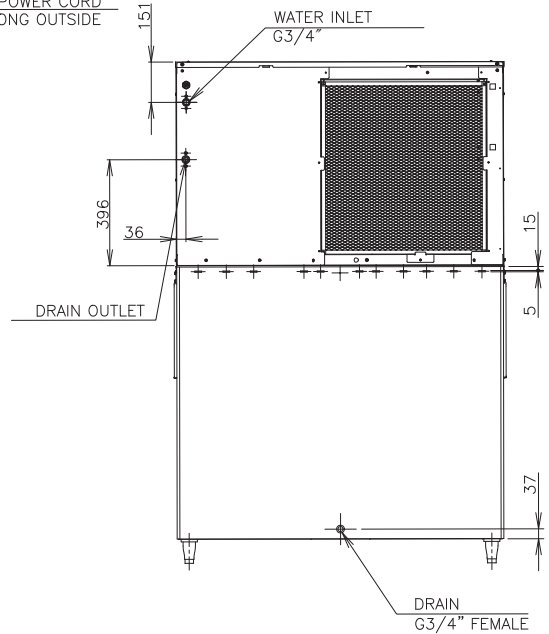
FRONT SIDE



RIGHT SIDE



BACK SIDE



SPECIFICATIONS

Ice Dimensions	Dice: 22mm*22mm*22mm		Ice water consumption per 24H	(AT32°C/WT21°C)	490L(1.0L/kg ice)
Outside Dimensions	1220mm(W) x 820mm(D) x 1871(~1901)mm(H)		Ice Production Freeze Cycle Time	(AT21°C/WT15°C)	Approx:13min
Package Dimensions	Ice Maker: Pallet + Carton:1325mm(W)x 720mm(D)x 945mm(H) Storage Bin:Pallet + Carton:1239mm(W)x 916mm(D)x 1142mm(H)		Ice Production per Cycle	(AT21°C/WT15°C)	Approx:5.55kg/612pcs
Weight (Net / Gross)	Ice Maker: 118kg/142kg Storage Bin: 64kg/86kg		OPERATING CONDITIONS		
Amperage/Starting Amperage	11.3A/85A		Voltage Range	198-242V	
Electrical Consumption	(AT32°C / WT21°C) 2296W		Ambient Temperature	5-38°C	
Refrigerant Charge	R404A/1200g		Water Supply Temperature	5-32°C	
Ice Storage Capacity	Maximum: 348kg		Water Supply Pressure	0.07-0.55MPa(0.7-5.5bar)	
Ice Production per 24H	(AT10°C / WT10°C)	Approx:723kg	Supply Voltage	1 Phase 220V 50Hz	
	(AT21°C / WT15°C)	Approx:622kg			
	(AT32°C / WT21°C)	Approx:483kg			

